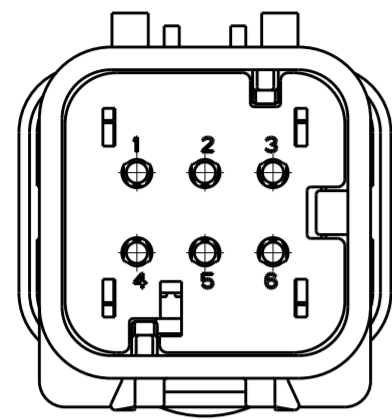
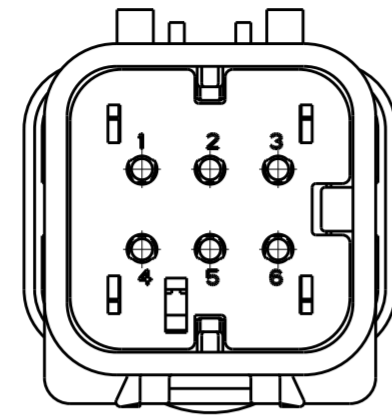


THIS DRAWING IS UNPUBLISHED. RELEASED FOR PUBLICATION. ALL RIGHTS RESERVED.

REVISIONS				
P	LTR	DESCRIPTION	DATE	APVD
C2		REVISED PER ECO-11-005030	12MAR2011	RK HMR
D		REVISED PER ECO-13-019168	05DEC2013	DR RB

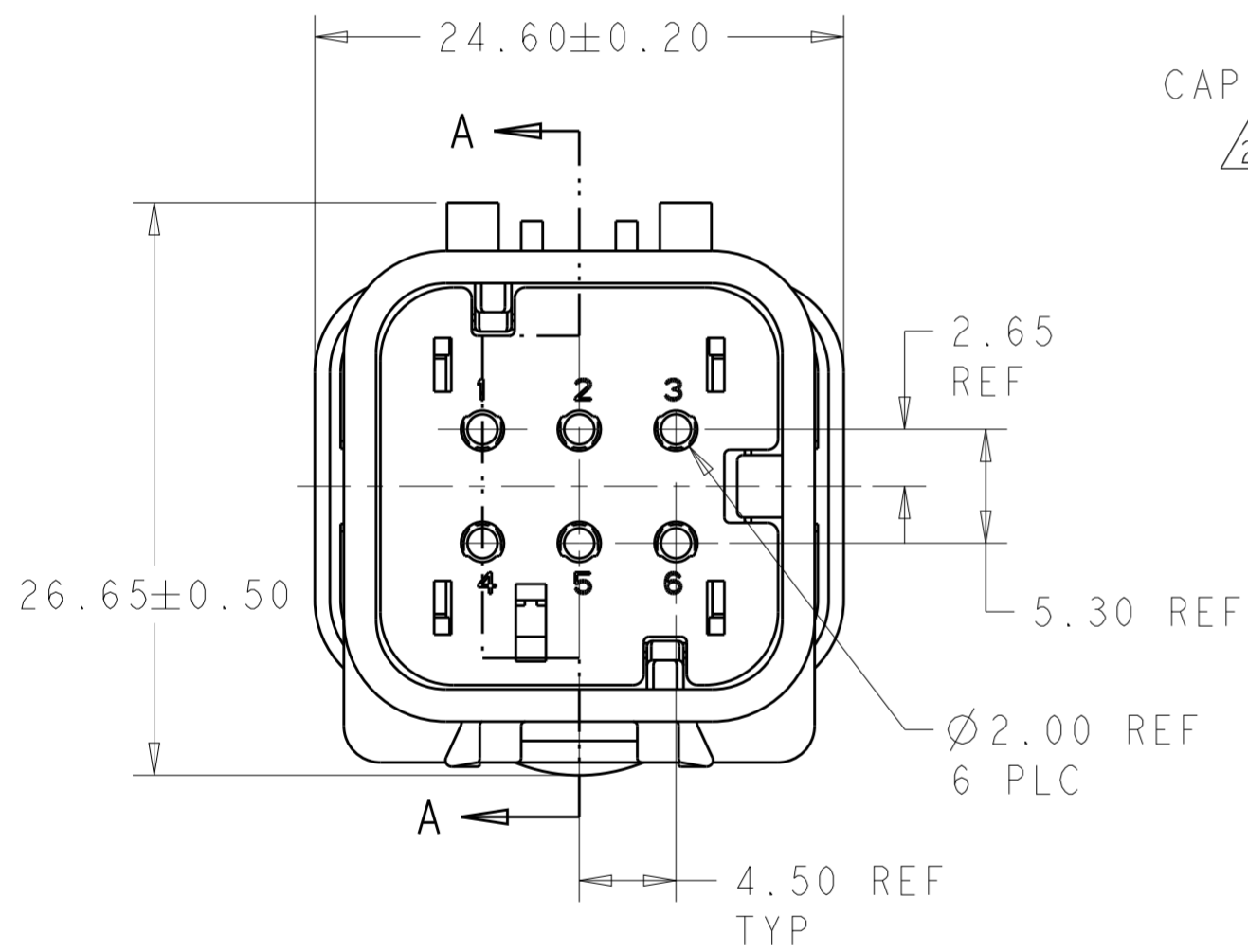


776434-2
SCALE 2:1

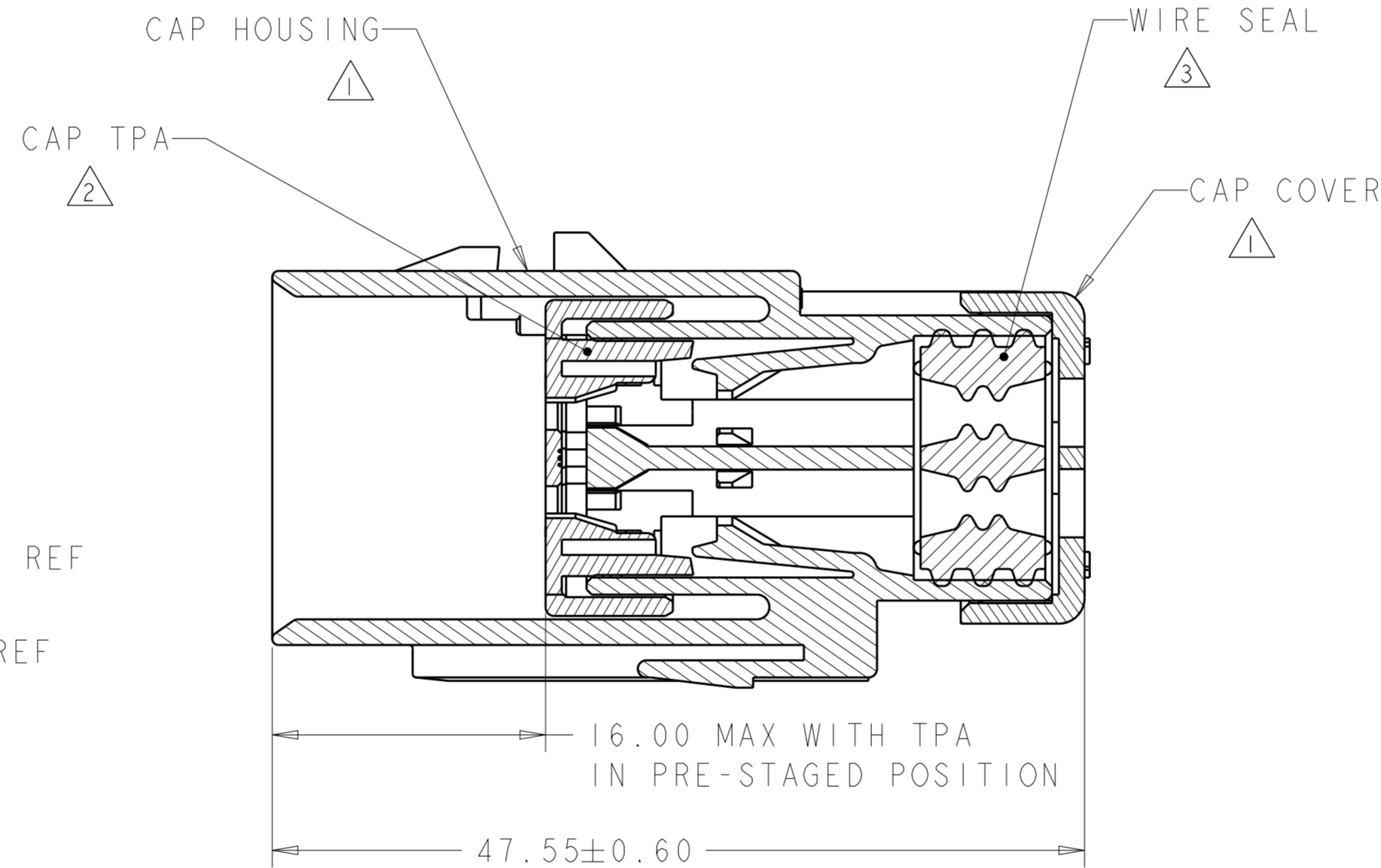


776434-3
SCALE 2:1

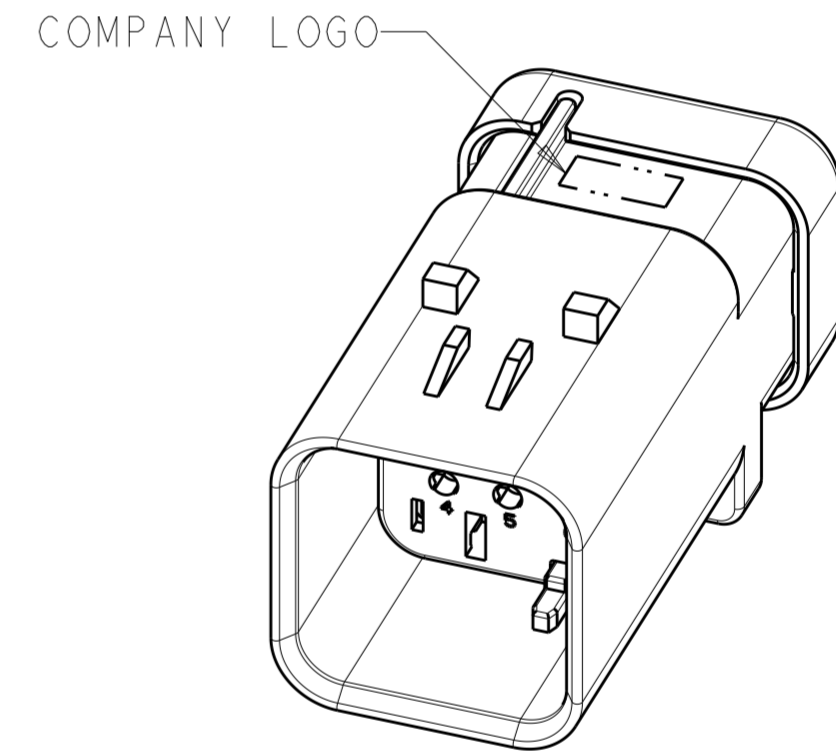
- ① MATERIAL: 15% GLASS FILLED THERMOPLASTIC
COLOR: BLACK
- ② MATERIAL: 15% GLASS FILLED THERMOPLASTIC
COLOR: (SEE TABLE)
- ③ MATERIAL: SILICONE
COLOR: MARINE BLUE



776434-1 SHOWN



SECTION A-A



SCALE 2:1

YELLOW	776434-3
GRAY	776434-2
RED	776434-1
TPA COLOR	PART NUMBER

THIS DRAWING IS A CONTROLLED DOCUMENT.		DWN AJ GRAFF 13JUN00	TE Connectivity CAP ASSEMBLY, 6 POSITION, DUAL ROW, AMPSEAL 16	
DIMENSIONS:		CHK R GREINER 03JAN02		
mm		APVD M TRULLI 03JAN02		
TOLERANCES UNLESS OTHERWISE SPECIFIED:		PRODUCT SPEC		
0 PLC	±	108-2184	NAME	
1 PLC	±	APPLICATION SPEC	SIZE	CAGE CODE
2 PLC	±	114-13065	A200779	C-776434
3 PLC	±	WEIGHT	15.5	RESTRICTED TO
4 PLC	±	Customer Drawing	SCALE 2:1	SHEET 1 OF 1
ANGLES	±			REV D
FINISH	-			